

HANBAY

Laboratory
Automation

HPA

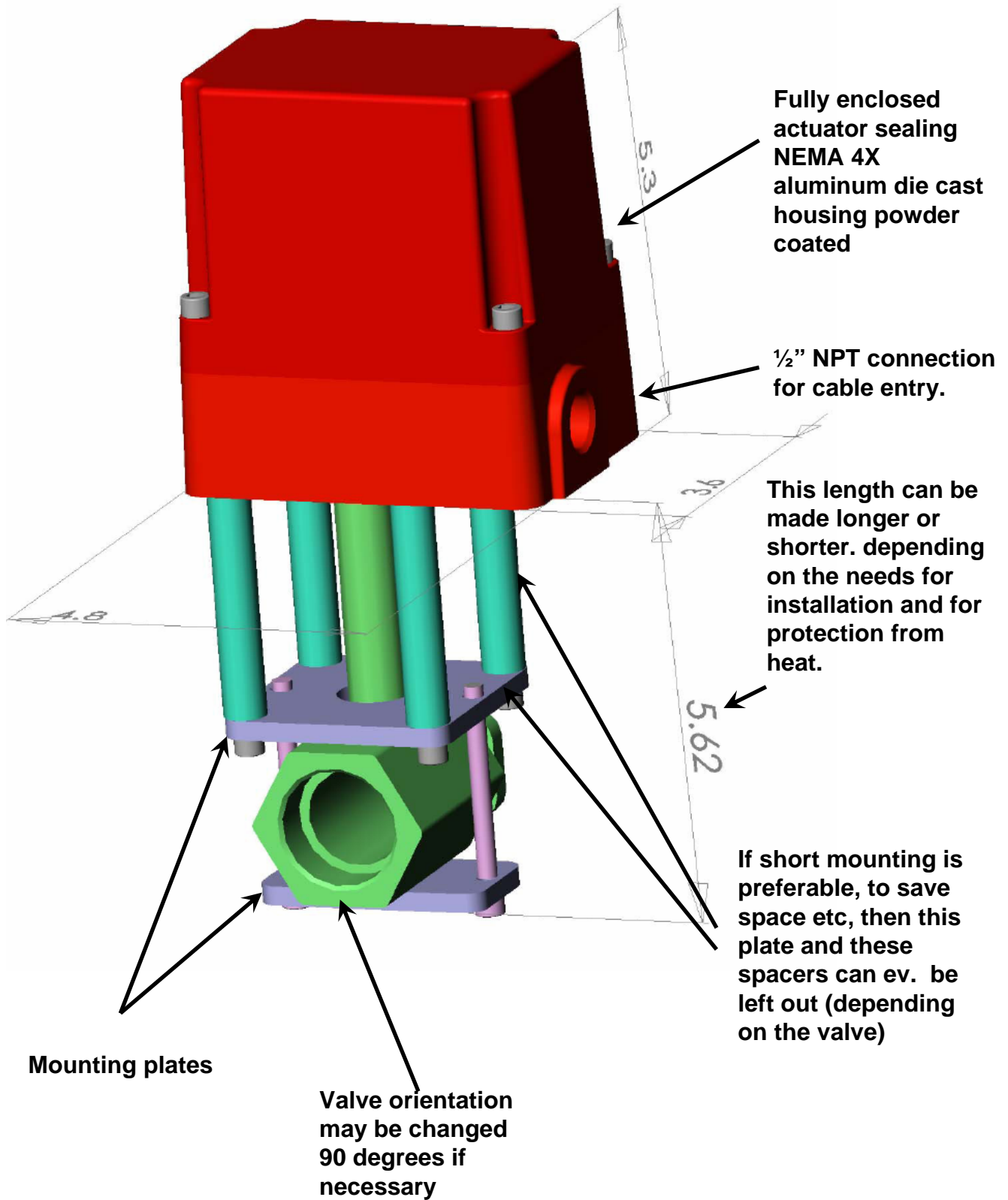
High Torque Precision
Electric Actuators

- Small size 4.8 lbs weight
- 2 Position $\frac{1}{4}$ Turn or $\frac{1}{2}$ Turn
- Continuous model
- Low Cost
- 4..20 mA signal level
- TTL level signal
- RS485 control
- Extended Temperature range
- AC/DC 24 V Supply
- High accuracy positioning
- High torque for small devices
- Ideal for valves up to 3"
- Ideal for Pressure Regulators
- Din mounting flange available

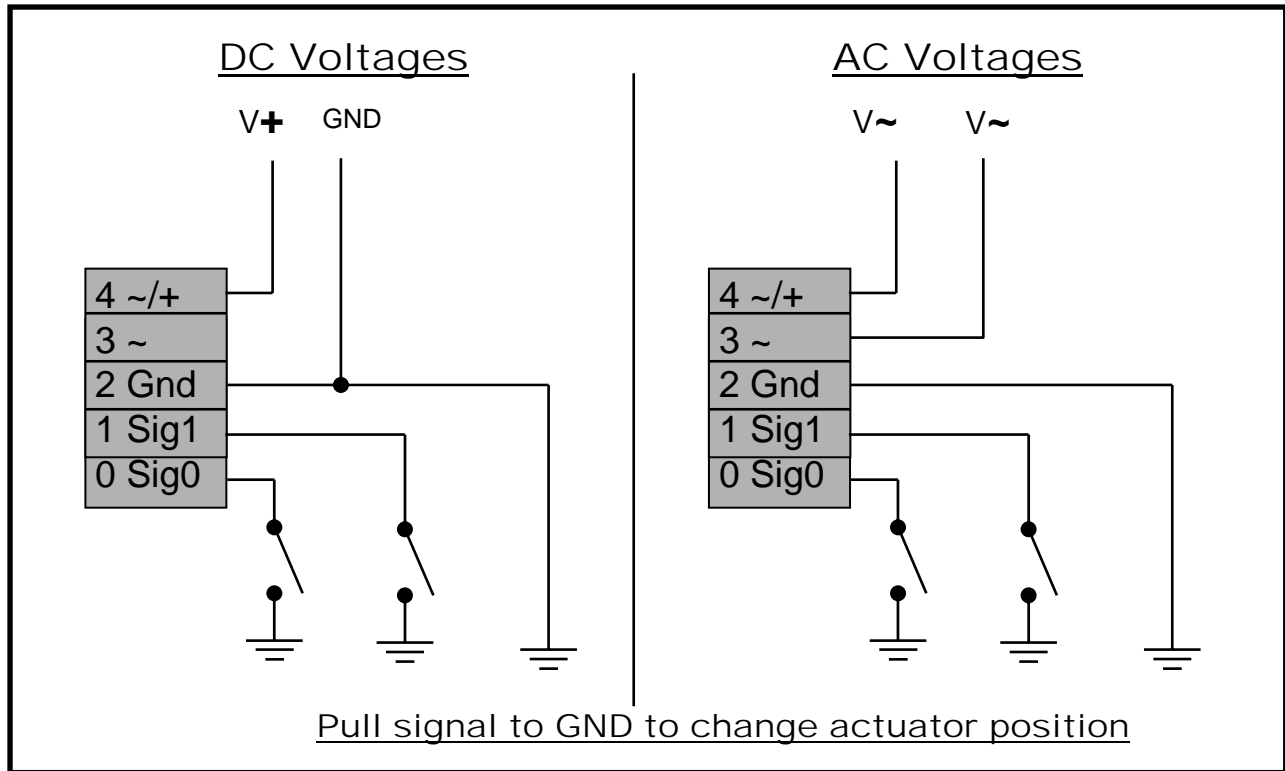


HPA

Mounting and Connection Instruction



Connection Schematic for HPA20 TTx.x PCB



Setting:

The "Sig" terminals of the board have internal "pull up" resistors that set the actuator in it's central position.

Pulling and holding signal 0 to Gnd will make the actuator move 90 deg CW.

Pulling and holding signal 1 to Gnd will make the actuator move 90 deg CCW.

The rating of the signal is TTL – level (< 0.2mA)

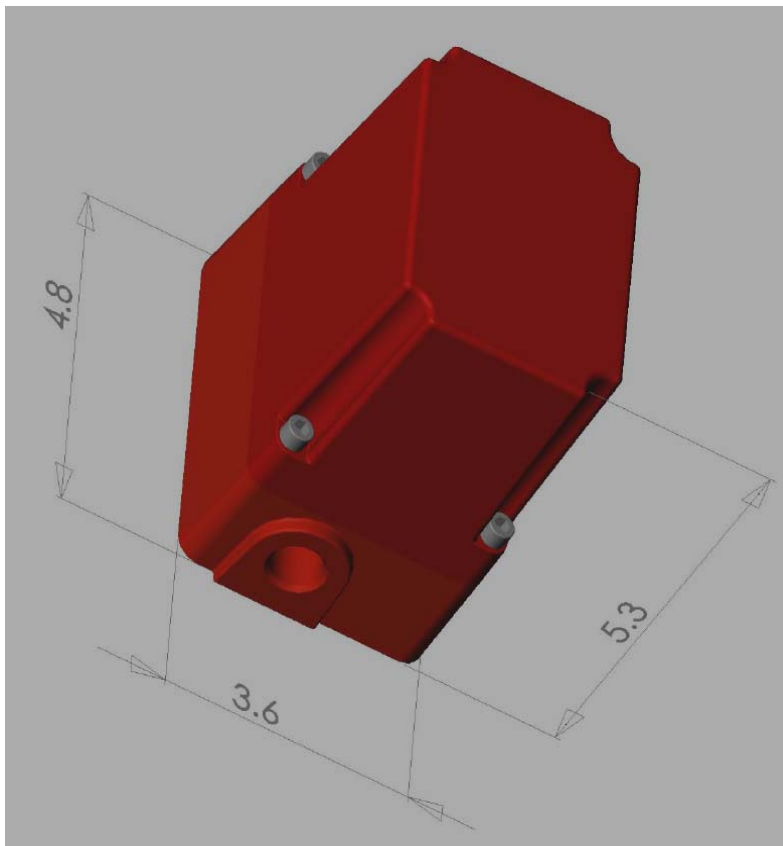
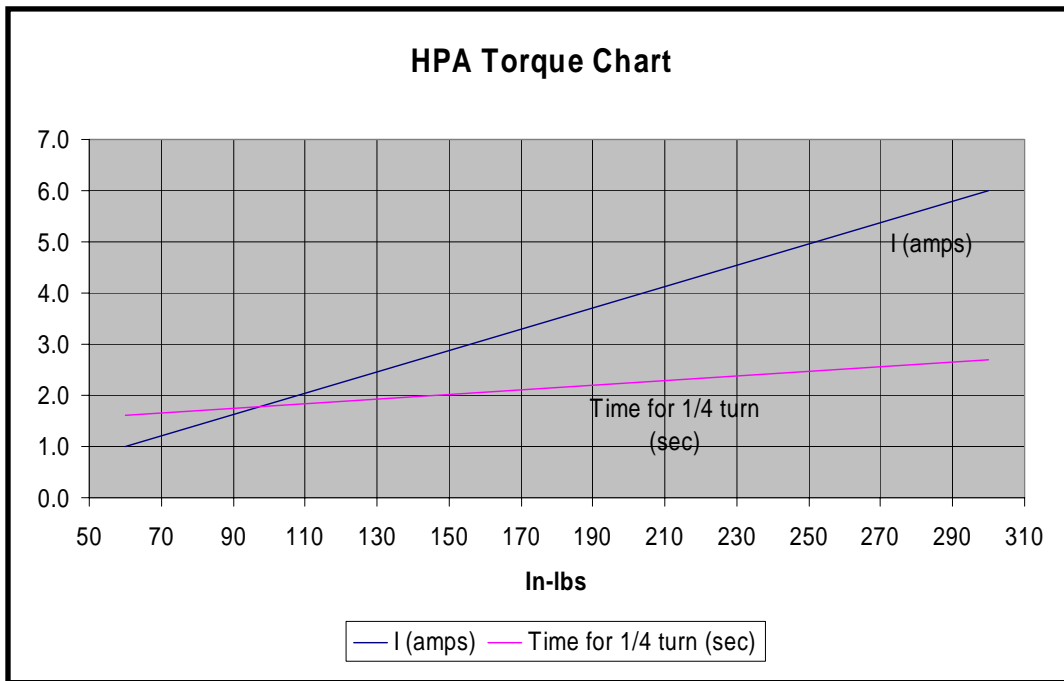
Electrical ratings:

The Actuator with the HPA20 TTx.x electronics board will work properly in the following supply voltage ranges:

AC Supply: 11.5 – 33 VAC

DC Supply: 11.5 – 43 VDC

The unit is fused at 6A and it will, at 12VDC, consume 1 – 4 A, depending on the torque load of the application. See also the torque – speed chart on page 5.



For more information or to order, please call us or visit our internet site at HANBAYINC.COM

Hanbay Inc.
 8 Woodland Ave
 Beaconsfield PQ
 H9W 4V9 CANADA

Phone: 514 426 1989
 Toll Free: 800 315 4461
 Fax: 514 426 9834