

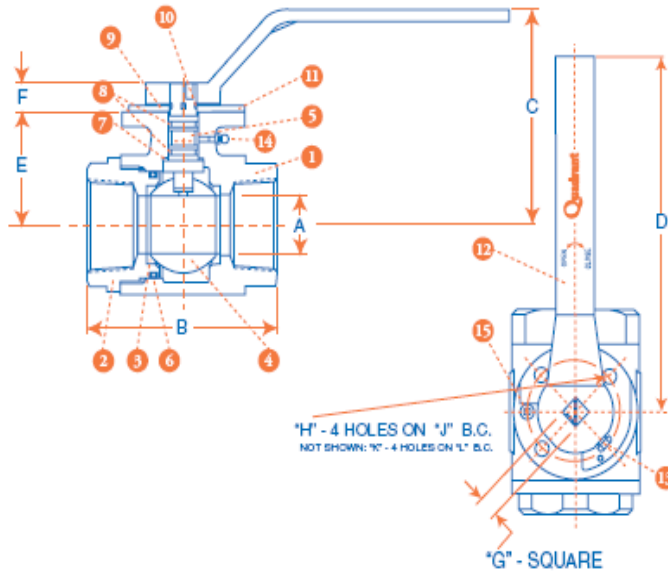
HBQx

Threaded Oilfield Ball Valves



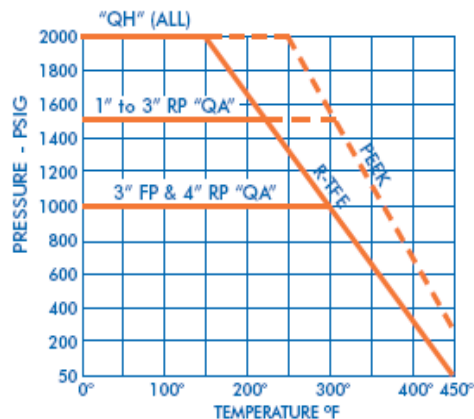
RATINGS	
Series QA:	1" FP - 3" RP 1500 PSI 3" FP - 4" RP 1000 PSI
Series QH:	1" FP - 2" FP 2000 PSI

- FEATURES**
- Standard 2-piece Ductile Iron Construction
 - Standard 316 Stainless Steel Trim
 - Standard Viton Seals
 - Standard Hostaflon (TFM) Seat Material which allows Elevated Temperature Applications (225F @ 1500 PSI)
 - NACE MR-01-75 Compliant
 - Grease Fitting on Valve Body to Lubricate Stem and Protect Stem Bore from Corrosion
 - Standard ISO Actuator Mounting Pads
 - Patented Square Stem Design for Direct Mount Actuation
 - Standard Locking Devices for Lockout Capabilities



QA & QH MATERIALS OF CONSTRUCTION

PART	QTY.	DESCRIPTION	STANDARD MATERIAL
1	1	BODY	A395 DUCTILE IRON
2	1	TAILPIECE	A395 DUCTILE IRON
3	2	SEAT	HOSTAFLO (R-PTFE)
4	1	BALL	316SS
5	1	STEM	316SS
6	1	BODY O-RING	VITON
7	1	THRUST WASHER	PEEK
8	2	STEM O-RING	VITON
9	1	PLATE WASHER	NYLON
10	1	TRU-ARC RING	CARBON STEEL
11	1	STOP PLATE	PLATED CARBON STEEL
12	1	HANDLE	DUCTILE IRON
13	1	HANDLE BOLT	PLATED CARBON STEEL
14	1	GREASE FITTING	PLATED CARBON STEEL
15	1	STOP BOLT	PLATED CARBON STEEL



DIMENSIONS - SERIES QA

SIZE	A	B	C	D	E	F	G	H(DIA)	J(DIA)	K(DIA)	L(DIA)	ISO	WT(LBS)	CV	MAX TORQUE
1" FP	1.0	4.2	3.5	7.0	2.2	0.76	11MM	0.26	1.97	N/A	N/A	F05	5.0	62	150 IN-LBS
1-1/2" FP	1.5	5.6	5.6	9.5	2.9	0.76	14MM	0.40	2.76	0.26	1.97	F05/07	13.0	140	350 IN-LBS
2" RP	1.5	5.6	5.6	9.5	2.9	0.76	14MM	0.40	2.76	0.26	1.97	F05/07	12.5	115	350 IN-LBS
2" FP	2.0	6.5	6.0	9.5	3.3	0.76	17MM	0.40	2.76	N/A	N/A	F07	19.0	365	500 IN-LBS
2-1/2" RP	2.0	7.3	6.0	9.5	3.3	0.76	17MM	0.40	2.76	N/A	N/A	F07	24.0	265	500 IN-LBS
3" RP	2.0	7.3	6.0	9.5	3.3	0.76	17MM	0.40	2.76	N/A	N/A	F07	23.0	265	500 IN-LBS
3" FP	3.0	8.8	7.0	14.0	4.5	0.76	22MM	0.40	2.76	N/A	N/A	F07	52.0	1100	1000 IN-LBS
4" RP	3.0	8.8	7.0	14.0	4.5	0.76	22MM	0.40	2.76	N/A	N/A	F07	47.0	680	1000 IN-LBS

DIMENSIONS - SERIES QH

SIZE	A	B	C	D	E	F	G	H(DIA)	J(DIA)	K(DIA)	L(DIA)	ISO	WT(LBS)	CV	MAX TORQUE
1" FP	1.0	4.2	3.5	7.0	2.2	0.76	11MM	0.26	1.97	N/A	N/A	F05	5.0	62	150 IN-LBS
1-1/2" FP	1.5	5.6	5.6	9.5	2.9	0.76	14MM	0.40	2.76	0.26	1.97	F05/07	13.0	140	350 IN-LBS
2" RP	1.5	5.6	5.6	9.5	2.9	0.76	14MM	0.40	2.76	0.26	1.97	F05/07	12.5	115	350 IN-LBS
2" FP	2.0	6.5	6.0	9.5	3.3	0.76	17MM	0.40	2.76	N/A	N/A	F07	19.0	365	500 IN-LBS

