

HBBFV-T Actuated Bodystyle Butterfly Ball Valves

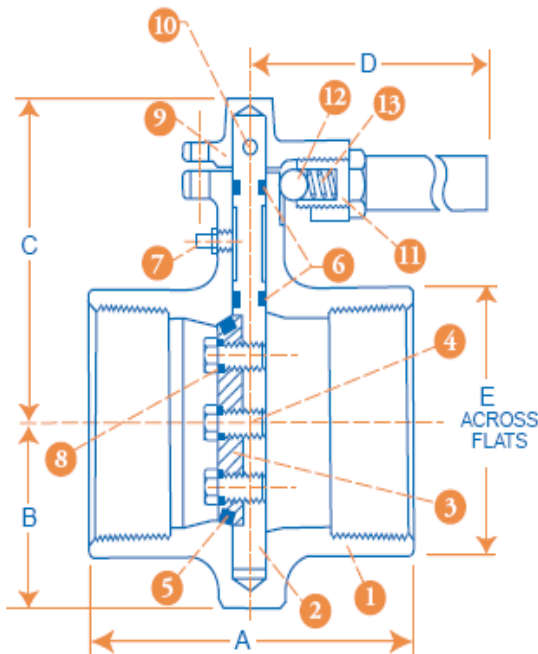


FEATURES

- Electroless Nickel Plated Cast Iron Body
- Standard Aluminum Bronze Disc
- Standard 416 Stainless Stem
- Standard 304 Stainless Internal Fasteners
- Grease Fitting in Stem Provides Stem Lubrication Capability
- Two Position Detented Handle with Locking Capability in Open & Closed Positions
- O-Ring Disc Seal for Positive Shut-off
- Ideal for Mud Service and Tank Farms

RATINGS

200 PSIG @120F (Buna-N-Seals)



MATERIALS OF CONSTRUCTION

PART	DESCRIPTION	STANDARD MATERIAL	OPTIONAL MAT'L
1	BODY	CAST IRON, ENP PLATED	
2	STEM	416 STAINLESS STEEL	
3	DISC	ASTM B148 C95400 ALUM BRONZE	
4	DISC BOLTS	304 STAINLESS STEEL	
5	DISC O-RING	BUNA-N	VITON A
6	STEM O-RINGS (2)	BUNA-N	VITON A
7	GREASE FITTING	PLATED STEEL	
8	DISC BOLT SEALS	BUNA-N	VITON A
9	HANDLE	DUCTILE IRON	
10	HANDLE PIN	PLATED STEEL	
11	HANDLE STOP ASSY	PLATED AND PAINTED STEEL	
12	HANDLE STOP BALL	STEEL	
13	HANDLE BALL SPRING	STAINLESS STEEL	

REPAIR KITS AVAILABLE

SIZE	REPAIR KIT NUMBER	PART NUMBERS INCLUDED
2	RK - BFV - T200	6 (2 pc's), 8 (2 pc's), 5 & 3
3	RK - BFV - T300	6 (2 pc's), 8 (2 pc's), 5 & 3
4	RK - BFV - T400	6 (2 pc's), 8 (3 pc's), 5 & 3

DIMENSIONS, WEIGHTS, CV FACTORS & MAXIMUM OPERATING TORQUE

SIZE	A	B	C	D	E	WEIGHT (LBS.)	Cv	MAX. TORQUE (IN-LBS)
2"	4-1/4	2-1/4	4-3/4	8	3	10.8	125	100
3"	4-7/8	2-3/4	6-1/8	8	4-1/8	15.8	300	220
4"	5-1/8	3-3/4	6-3/8	8	5-3/8	22.5	525	320
6"	N/A	N/A	N/A	N/A	N/A	N/A	-	-